



TAI-SAW TECHNOLOGY CO., LTD.

No. 3, Industrial 2nd Rd., Ping-Chen Industrial District,
Taoyuan, 324, Taiwan, R.O.C.

TEL: 886-3-4690038 FAX: 886-3-4697532

E-mail: tstsales@mail.taisaw.com Web: www.taisaw.com

Approval Sheet For Product Specification

Issued Date: 2005/07/08

Product Name: SAW Resonator 462.5375 MHz SMD3.8X3.8 mm

TST Parts No.: TC0283A

Customer Parts No.: _____

Company: _____
Division: _____
Approved by : _____
Date: _____

Checked by: _____ Asin Lin

Approval by: _____ Francis Chen

Date: _____ 2005/07/08



TAI-SAW TECHNOLOGY CO., LTD.

No. 3, Industrial 2nd Rd., Ping-Chen Industrial District,
Taoyuan, 324, Taiwan, R.O.C.

TEL: 886-3-4690038 FAX: 886-3-4697532

E-mail: tstsales@mail.taisaw.com Web: www.taisaw.com

SAW Resonator 462.5375 MHz

MODEL NO.: TC0283A

REV. NO.:1

A. FEATURES:

- 1-Port Resonator.

B. MAXIMUM RATING:

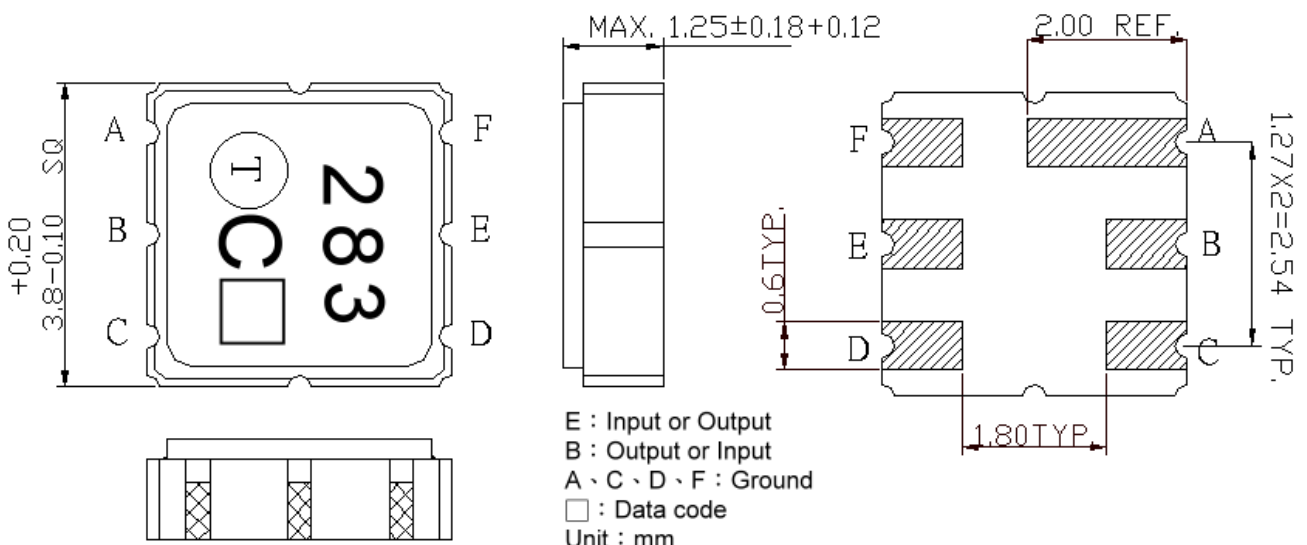
1. Input Power Level: 0 dBm
2. DC voltage: 12 V
3. Operating Temperature: -40°C to +85°C
4. Storage Temperature: -40°C to +85°C

C. ELECTRICAL CHARACTERISTICS:

Characteristic	Units	Minimum	Typical	Maximum
Center frequency Fr	MHz	462.4375	462.5375	462.6375
Insertion Loss IL	dB	-	1.61	2.5
Equivalent Elements				
Motional capacitance C1	fF	-	1.21	-
Motional inductance L1	μH	-	97.72	-
Motional resistance R1	Ohm	-	24.2	-
Parallel capacitance Co	pF	-	2.45	-
Temp. coeff.	ppm/c*2	-	0.032	-
Turnover To	deg.C	10		40
Package size		SMD3.8X3.8X1.4 mm		

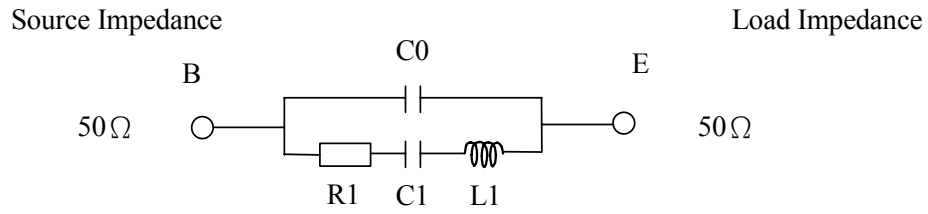
Temperature dependence of fc: $fc(T_A) = fc(T_O)(1 + TC_f(T_A - T_O)^2)$

D. OUTLINE DRAWING:

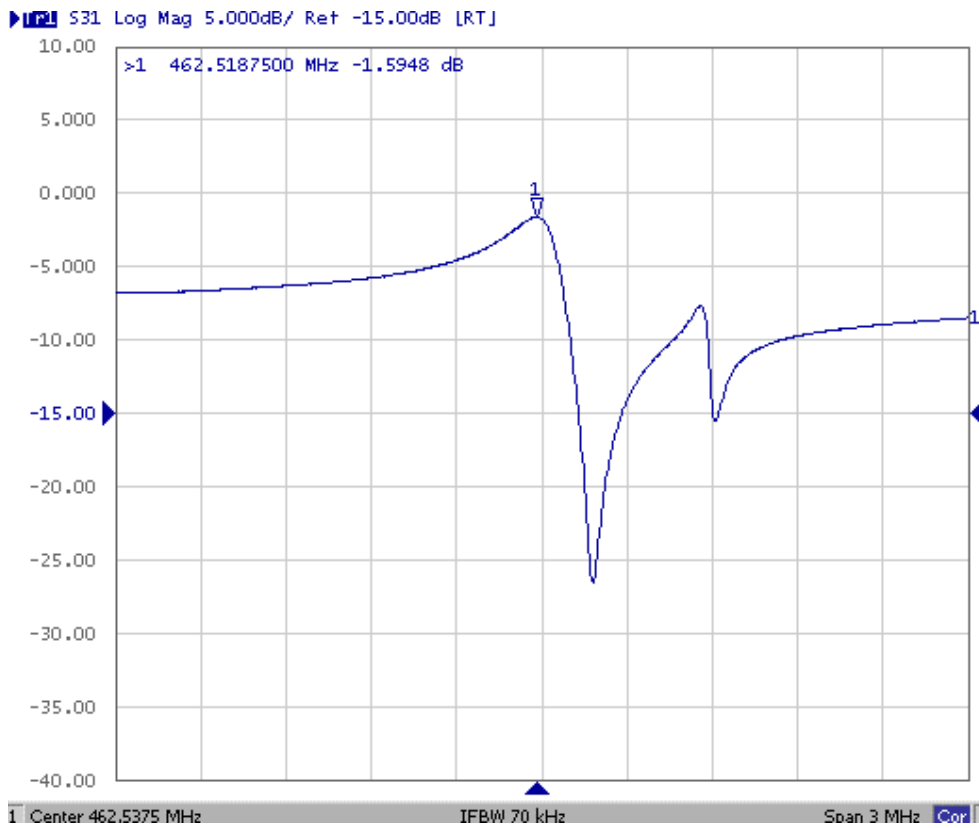


E. EQUIVALENT CIRCUIT:

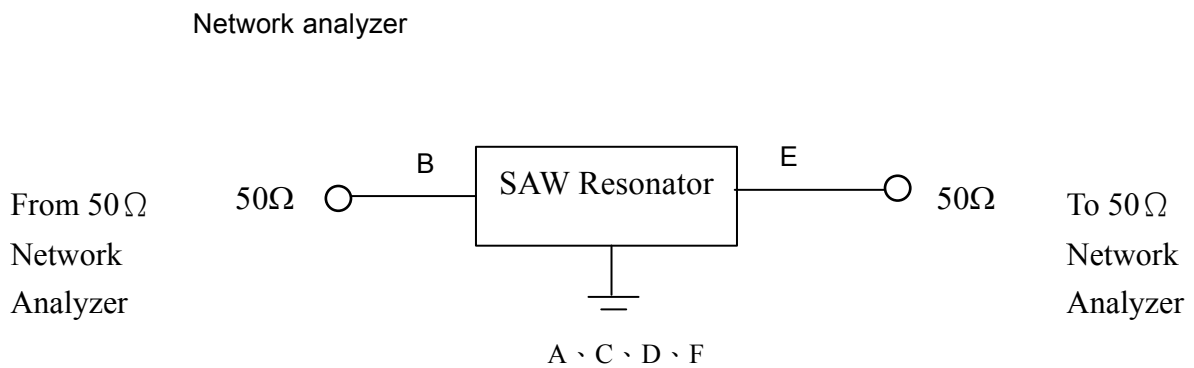
One-Port Resonator:



F. FREQUENCY CHARACTERISTICS:



G. TEST CIRCUIT:



2.TAPE DIMENSION

